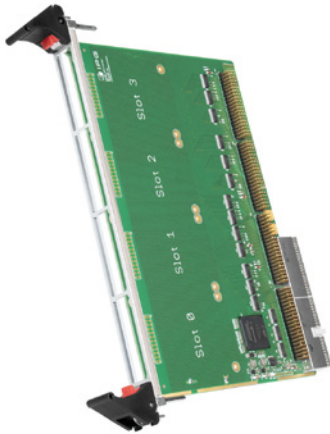


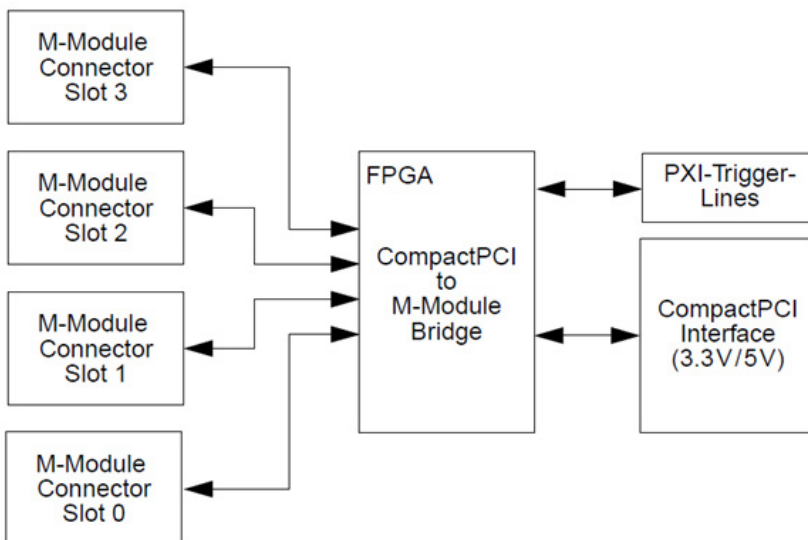
## D1000 – cPCI Carrier Board for 4 M-Modules (for 19“ Subrack)



### Features

- The D1000 carries up to 4 M-Modules and integrates them into an Xpack4 system.
- 4 M-Module Slots ( M-Module Standard)
- 32bit Compact PCI interface
- Needs only about 32Mbytes address space on the Compact PCI bus
- Up to 20% fast access time compared to former D203
- Supports 8 PXI trigger lines
- Compatibility to CompactPCI busses with VI/O= 3.3V and VI/O=5.0V

### Block Diagram



### Order Information

Order Number	IO-D1000
--------------	----------