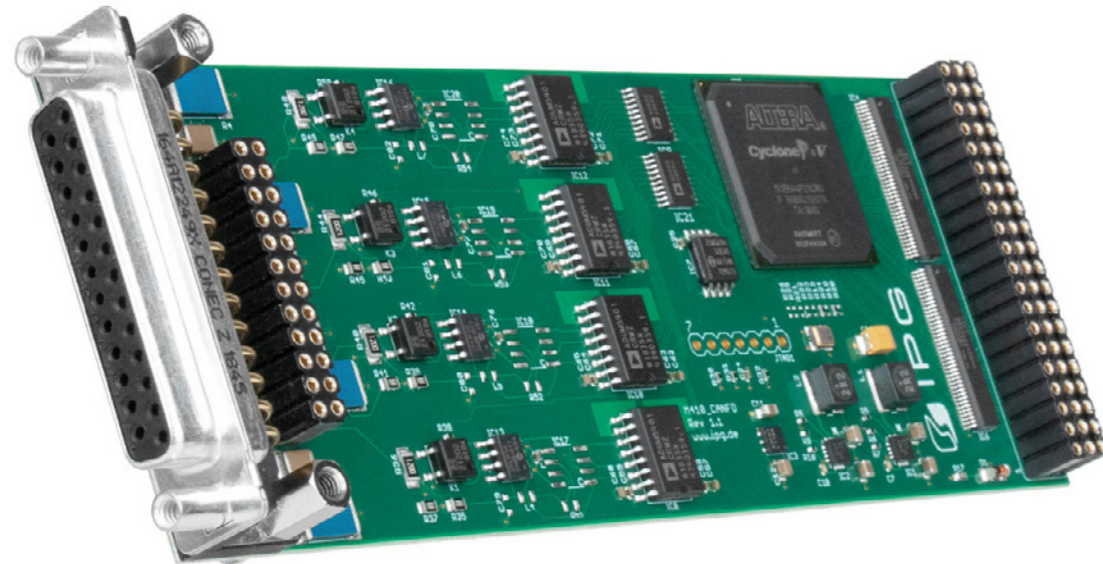


M410 – Quadruple CAN / CAN FD Interface



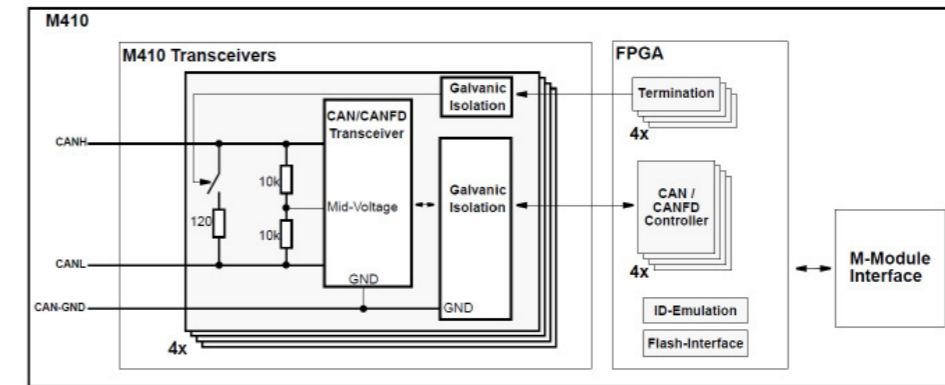
Features

- 4 galvanically isolated CAN / CAN FD channels
- High Bandwidth: Data rate up to 12Mbps in CAN FD Mode
- Support of ISO CAN FD specification as well as Bosch CAN FD specification (switchable)
- CAN 2.0A / 2.0B Features
 - Standard or Extended Identifier
 - Remote Frames
 - Up to 8 Byte Data
 - Error Handling conforming to CAN specification
- Additional CAN FD 1.0 Features
 - Up to 64 Byte Data with CAN FD
 - Flexible Data rate
- Option: Also available as single wire CAN module,
- Pin compatible replacement for MEN M51
- 32 Bit Interface (better access times than with M51)

Use Cases

- Communicating with CAN FD nodes with up to 64 data byte messages
- Providing basic CAN bus communication in automotive test systems
- Monitoring CAN bus activity

Block Diagram



Technical Data

Output channels	4 independant galvanically isolated CAN/CANFD channels
Supported protocols	<ul style="list-style-type: none"> • CAN 2.0A • CAN 2.0B • CANFD 1.0, Bosch standard • CANFD 1.0, ISO standard
Receive buffer size	4kByte
Transmit buffer size	4kByte
Data rate CAN	up to 1MBaud
Date rate CANFD	<ul style="list-style-type: none"> • Arbitration: up to 1MBaud • Data: up to 12MBaud
Overvoltage protection	-58V to +58V
Supply current	<ul style="list-style-type: none"> • 5V / 500mA • 12V / 200mA
Address space needed	A08 and A24
Connectors	25 pin SUBD receptacle connector , female

Order Information

Order Number	IO-M410
--------------	---------

Alternatives

M51	For basic CAN communication
M414	For SENT communication interfaces