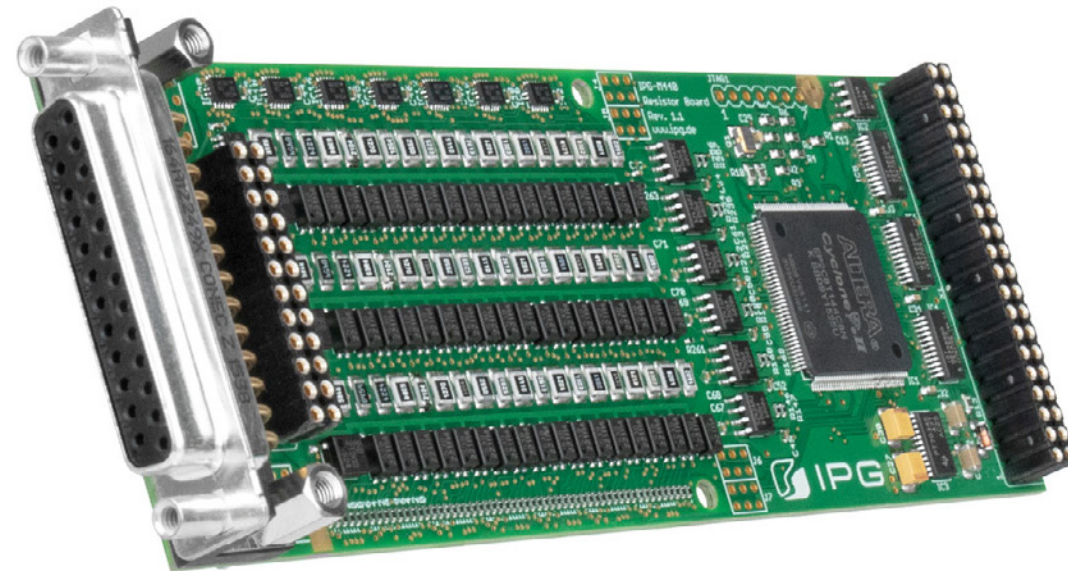


M440 - Programmable Resistor Array



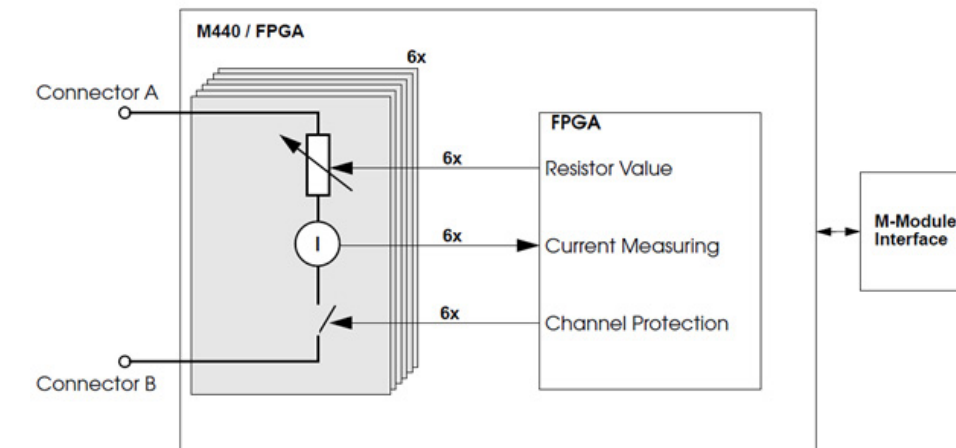
Features

- Resistor range: 16Ohms up to 8MOhms
- Number of channels: 6
- Maximum voltage: +/-40V
- Maximum current: 150mA, depending on the configured resistor
- Maximum power: 500mW
- Overload protection
- Stable resistor value after 1 ms
- Galvanic isolation between system power and each channel
- Current gauge feature

Use Cases

- Applying resistance to signal lines to simulate corrosion of connectors
- Emulating analog sensors (e.g. temperature or pressure)

Block Diagram



Technical Data

Number of channels	6
Maximum voltage	40V
Overload protection	500mW per channel
Maximum current	150mA per channel
Resistor value range	16Ohm .. 8MOhm
Accuracy of the configured resistor	1% (>200kOhm: increasing step width due to a limited max. resistance in parallel connection)
Accuracy of current measuring	2% +/-10 mA over the full range
Address space	A08D16
Connectors	25 pin SUBD receptacle connector , female

Order Information

Order Number	IO-M440
--------------	---------