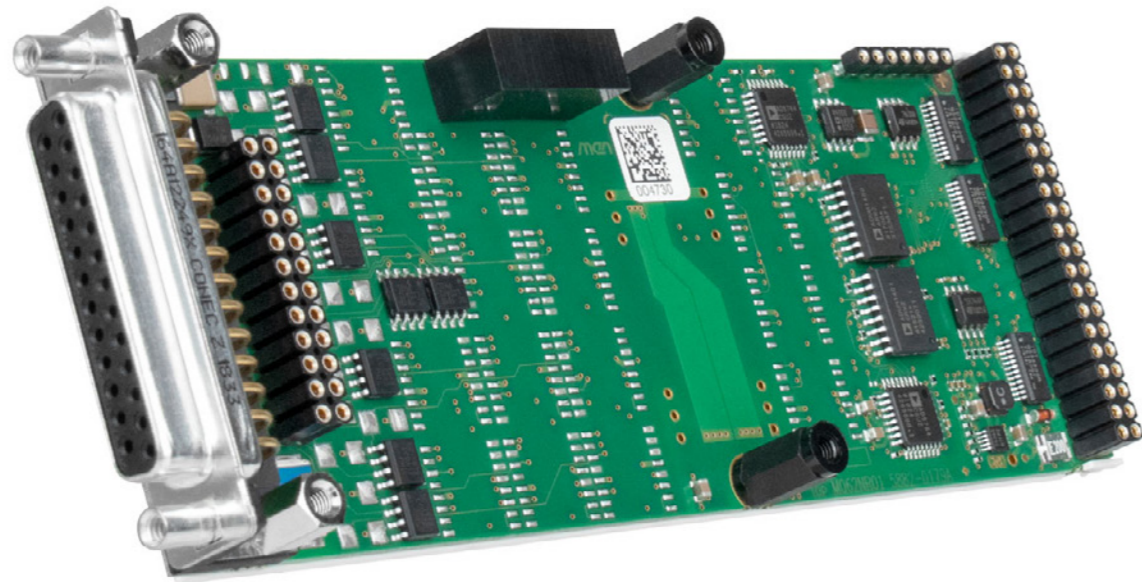


## M62N – Analog Outputs



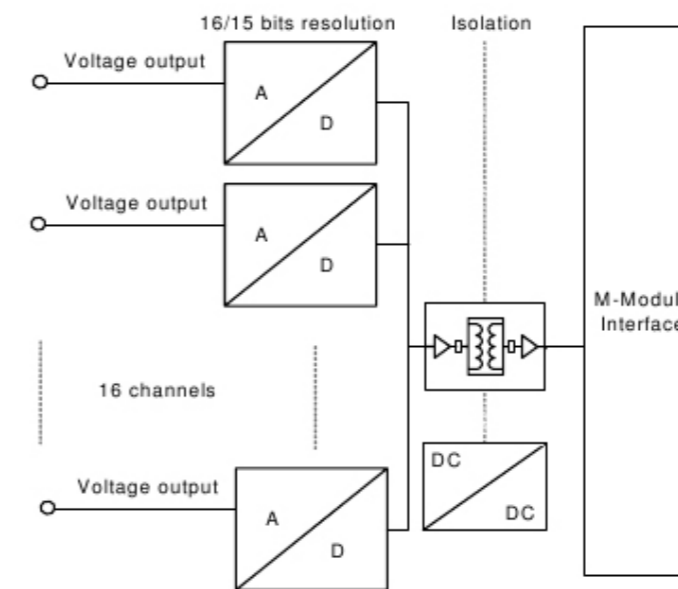
### Features

- 16 channels
- 16 bits DA resolution (bipolar operation)
- 15 bits DA resolution (unipolar operation)
- Output current: 5mA max.
- Accuracy:  $\pm 0.1\%$ ,  $\pm 1$  LSB differential
- Voltage ranges (programmable): 0..10V; -10V..+10V
- Programmable output mode (unipolar/bipolar)
- Isolated outputs

### Use Cases

- Controlling actuators in automated processes
- Emulating the voltage output of analog sensors
- Driving loads with precisely controllable currents

### Block Diagram



### Technical Data

Output channels	<ul style="list-style-type: none"> <li>• Voltage output</li> <li>• Output current: 5mA max.</li> <li>• Accuracy: <math>\pm 0.1\%</math>, <math>\pm 1</math> LSB differential</li> <li>• Voltage ranges (programmable): 0..10V; -10V..+10V</li> </ul>
Connector	25-pin D-Sub connector (female)

### Order Information

Order Number	IO-M62N
--------------	---------

### Alternatives

M409	Providing additional analog inputs as well as digital IOs
------	---